

two-part, »Standard« series

Two-piece service units consisting of a reversible diaphragm pressure regulator, independent of inlet pressure, with self-relieving design, combined with a centrifugal separator and a proportional lubricator.

Temperature range	-10 °C to 60 °C
Medium	Compressed air, neutral gases
Filter rating	40 µm
Sealant	NBR
Housing	Die-cast zinc / aluminium, painted silver
Bowl volume lubricator	550 cm ³
Oil metering qv=1000 l/min	1 - 2 drops/min
Oil grade	CL 32 acc. to DIN 51517-ISO VG 32
Flow rate	4000 l/min
Flow rate measurement	At P1 = 8 bar, P2 = 6 bar and pressure drop $\Delta_p = 1$ bar

Service unit, 2-piece with polycarbonate bowl and PA sight dome

Art. No.	Type No.	Thread	Size	Max. input pressure bar	Control range bar	Pressure gauge display bar	Condensate drain
174098	865 K P	G 3/4	4	16	0.5 - 10	0 - 16	Semi-automatic
174099	866 K P	G 1	4	16	0.5 - 10	0 - 16	Semi-automatic

Service unit, 2-piece with polycarbonate bowl and bowl guard, PA sight dome

Art. No.	Type No.	Thread	Size	Max. input pressure bar	Control range bar	Pressure gauge display bar	Condensate drain
174100	865 S P	G 3/4	4	16	0.5 - 10	0 - 16	Semi-automatic
174101	866 S P	G 1	4	16	0.5 - 10	0 - 16	Semi-automatic

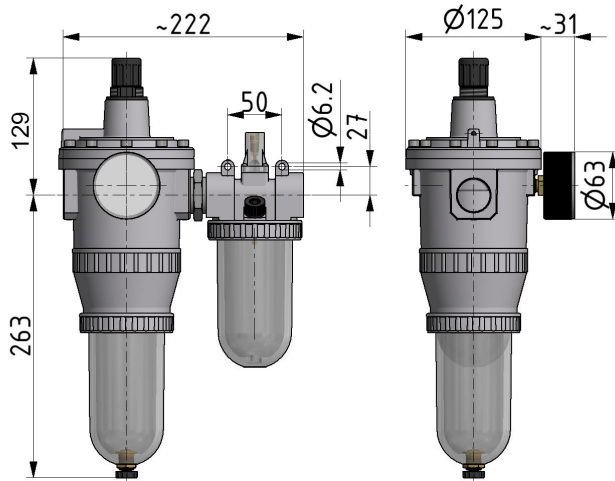
Service unit, 2-piece with metal bowl and metal (zinc-glass-NBR) sight dome

Art. No.	Type No.	Thread	Size	Max. input pressure bar	Control range bar	Pressure gauge display bar	Condensate drain
174102	865 M P	G 3/4	4	25	0.5 - 16	0 - 25	Manuel
174103	866 M P	G 1	4	25	0.5 - 16	0 - 25	Manuel

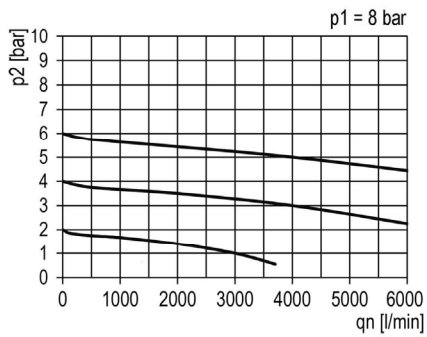
Accessories / spare parts

Art. No.	Type No.	Description
100845	H 86	Mounting bracket
100950	650/2-HA	Polycarbonate bowl (filter)
101044	740/04	Polycarbonate bowl (lubricator)
100951	650/12	Metal bowl (filter)
101043	740/14	Metal bowl (lubricator)
100949	SK 03	Bowl guard
100677	65/0-N	Fully-automatic drain valve
174104	22.643.4 P	Set of wearing parts
100511	655.6.940	Filter element 40 µm, Cellpor
100510	655.6.908	Filter element 8 µm, Cellpor
100794	760.7.990	Sight dome, polycarbonate
100795	760.7.992	Sight dome, metal
100796	760.7.1135	Assembly adapter for metal sight dome
100362	655.6.900	Automatic bleeder valve

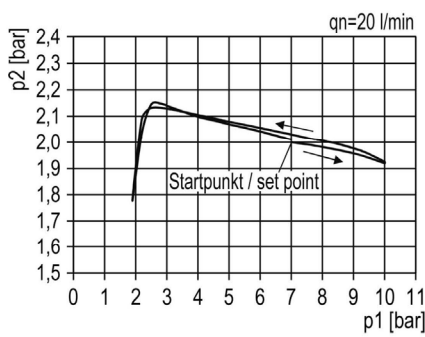
Service unit with polycarbonate bowl or polycarbonate bowl and bowl guard



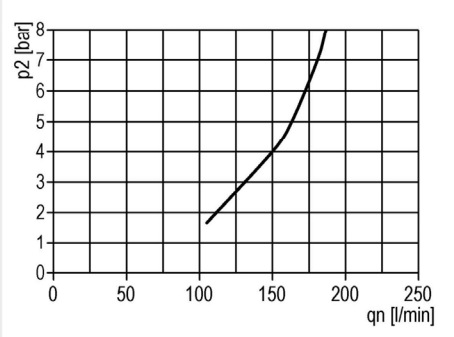
flow characteristic



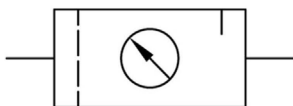
pressure characteristic



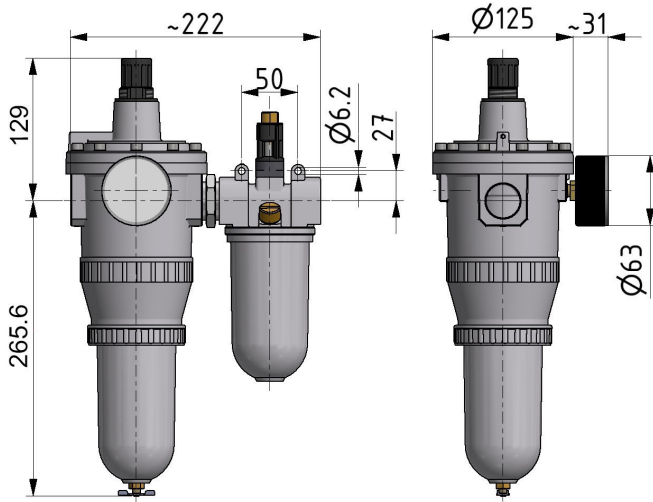
lubricator operating limit



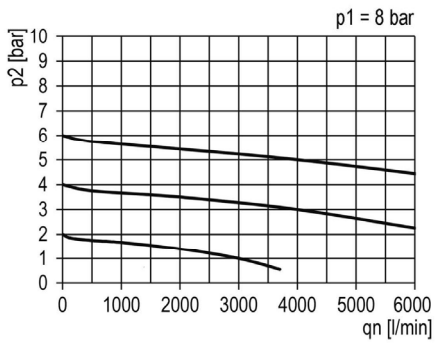
symbol



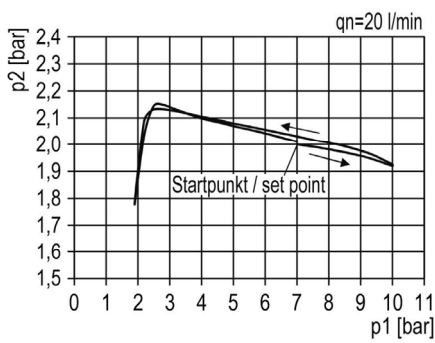
Service unit with metal bowl



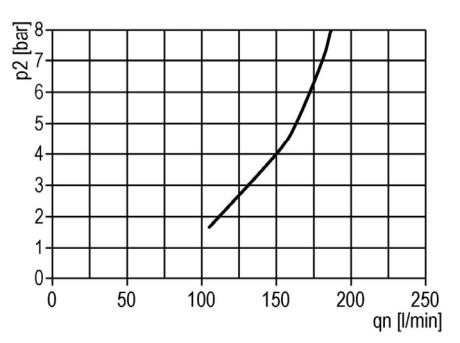
flow characteristic



pressure characteristic



lubricator operating limit



symbol

